



Product Overview Process and Control Valves

01 SOLENOID VALVES

02

03 PNEUMATICS

04 SENSORS

05 MICROFLUIDICS

06 MASS FLOW CONTROLLERS

07 SOLENOID CONTROL VALVES

Content

4	Fascination Bürkert	34	Control and Communication
6	Make Your Perfect Valve	36	Pilot Valves
8	Valve Styles	38	Feedback Switches
12	Angle Seat Valves	40	Control Heads
14	Globe Valves	44	Positioners
16	Diaphragm Valves	48	Process Controllers PID
18	Materials and Connections	52	Intuitive Intelligence Inside
20	Configurations	54	Technology in the Field
22	Quarter Turn Valves	56	Market Oriented Solutions
24	Operators	58	Approvals Behind our Success
26	Manual	60	Added Value Systems
27	Electric	62	Bürkert worldwide
28	Rotary		
29	Dual		
30	CLASSIC		
32	ELEMENT		

Modular Process Valve Market Leader

Across thousands of individual solutions and spanning dynamic conditions of global competition our mission is to work towards your success. We have decades of global experience and we have always been positioned at the forefront of process valve technology.

Our innovative approach to your success is to secure your process efficiency, lower your downtime, increase your safety and boost your competitive advantage. We intend to collaborate with you where we can share our process control and valve experience. All of our combined knowledge is available to you through consultation, engineering support, selection and commissioning.

We want to be your food cooking, water purifying, engine testing, textile dyeing, chemical synthesizing, automotive painting, aluminum extruding, vacuum holding, induction heating, pharmaceutical preparing, car washing, cosmetic making, beverage dispensing, power generating, aseptic filling, semiconductor slicing, fermentation controlling, peroxide batching, bread mixing, soup cooking, ozone sterilizing, die casting, chromatographic separating, air compressing, robot weld cooling, yogurt processing, winery networking, gold mining, thermoforming, foam expanding, analytics automating, laser cutting, gas mixing, ion exchanging, boiler monitoring partner.

Whether you need a single component or a complex system solution, we always focus on optimum process reliability, efficiency and economy and with our certified quality system in accordance with ISO 9000 – 9004 we do it right and on time.

Everyone in our organisation is interested in listening to you with the aim of presenting you with only the most appropriate solution fluently in your daily application language.

Welcome to the Fascinating World of Fluid Control Systems

Measurement and control: When it comes to working with liquids and gases, we are at your side – as a manufacturer of sophisticated products, as a problem-solver with an eye for the big picture, and as a partner offering you reliable advice. Since we started in 1946, we have developed into one of the world's leading suppliers of Fluid Control Systems. At the same time we have kept our status as a family-owned business with a foundation of strong basic values to highlight the way we think and act.

EXPERIENCE

There are things which are not inherently yours. You have to gather them bit by bit. You receive them from others. And you constantly have to acquire them anew. That is what makes them so valuable. Experience is one of those things. For instance, because of our many years of experience with process valves, we can provide our extensive services to you – from consulting, development, and 3D CAD simulating to testing and after-sales service. Whether individual product solutions or a pioneering new system for the entire control process: Benefit from our experience.

COURAGE

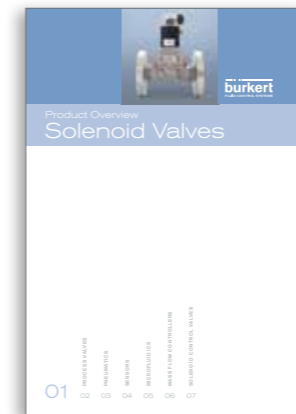
Those who only work toward optimizing things that already exist will eventually reach the limits – technically, financially, or personally. In order to overcome these limits, courage is needed: the courage to be different and trust one's own ideas; the courage to venture into the unknown, searching for new ways to develop products that have never existed before. We have this courage. By pooling and utilizing our competencies across all sectors, you benefit from our cumulative knowledge of valves, actuators, pilots and controllers.

CLOSENESS

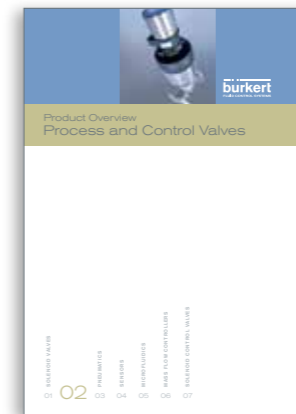
There are things we simply take for granted. Only when they are gone, do we realize how important these things really were. This applies in particular to closeness. Without closeness, it is very difficult to build relationships and a good understanding of one another. As an established medium-sized company, we know that. And that is why we are always there for you. Working with you, we develop the best possible solutions for your projects in the area of process control. Our global presence in 35 locations enables us to press ahead with technical innovations for our customers around the world.

Bürkert Product Program

We are one of the few suppliers on the market to cover the complete control loop. Our current product range extends from solenoid valves through process and analytical valves to pneumatic actuators and sensors.



Bürkert offers a remarkable range of servo assisted and direct acting solenoid valves. Read more about them in this brochure.



Bürkert offers unlimited modularity for process control with angle-seat, globe and diaphragm valves in the widest range of configurations.



Here you can find our product range of pneumatic valves, valve units and automation systems as well as information on our control cabinet building.



Here you can find our sensors, transmitters and controllers for measuring and controlling flow, temperature, pressure, level, pH/ORP and conductivity.



The brochure contains an overview of Bürkert miniature valves and micro pumps, which allow for precise and safe handling of small volumes of liquids.



This brochure provides technical background information as well as a detailed product overview for the mass flow controller and meter product range.



This brochure presents our solenoid control valves including their respective features, functions and typical applications.



Make Your Perfect Valve

Making your life simpler, our groundbreaking innovation has created a remarkable range of attractive and hardworking valve elements which can be combined to give the user the best possible fit for purpose. With unlimited modularity, Bürkert saves you time by offering valves for media from slurries to steam and from de-ionized water to hydrochloric acid to offer peace of mind with the sure knowledge you have chosen experience and quality.



Step 3: Control and Communicate



Step 2: Operate



Step 1: Choose your Valve Style

Valve Styles

We partner with you to choose the correct valve for your application. Starting with the body we can choose valves to control slurries, steam, aggressive liquids and materials which must remain pure. We offer four main methods for controlling fluids from our world renowned angle seat pattern to a range of quarter turn solutions. The choice is yours...

Angle seat

- Robust
- Long life
- High flow



Page 12

Globe

- Accurate
- Reliable
- Light



Page 14

Diaphragm

- Media separated
- Hygienic
- Resistant



Page 16

Quarter turn

- Full flow
- Moderate duty
- High pressure

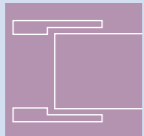
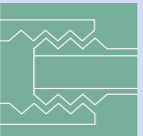

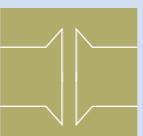
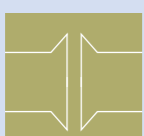
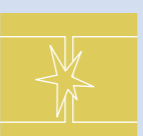
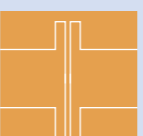


Page 22

Body Connections

We build a vast array of valves for a dispersed and diverse global process control market. Regional and industry based requirements are taken care of by our internal modular simplicity. No matter where you are in the world and which industry norm you are trying to meet, we have your connection.

Type	Norms available
Threads	ISO, NPT, RC
Solvent weld	ISO
Union	True union
Clamp	ISO, BS, DIN, ASME BPE
Welded	ASME BPE, BS OD, ISO, DIN
Flange	ANSI, DIN, JIS

Plastics		Metals	
Solvent		Thread	
Union		Clamp	
Clamp		Weld	
		Flange	

Additional valves also employ SteriCONNECT for ultrapure process systems using clamp, DIN union or flange connections. Details can be found in our Hygienic Processing Pharmaceutical brochure.

Body Materials

Our core competencies include modelling, machining and molding a vast array of engineering materials. We can supply materials compatibility advice and we know the material requirements inside many application environments. Our research and development laboratory is equipped to respond to our customers' demands for leading edge solutions and our efforts are focused towards your process success.

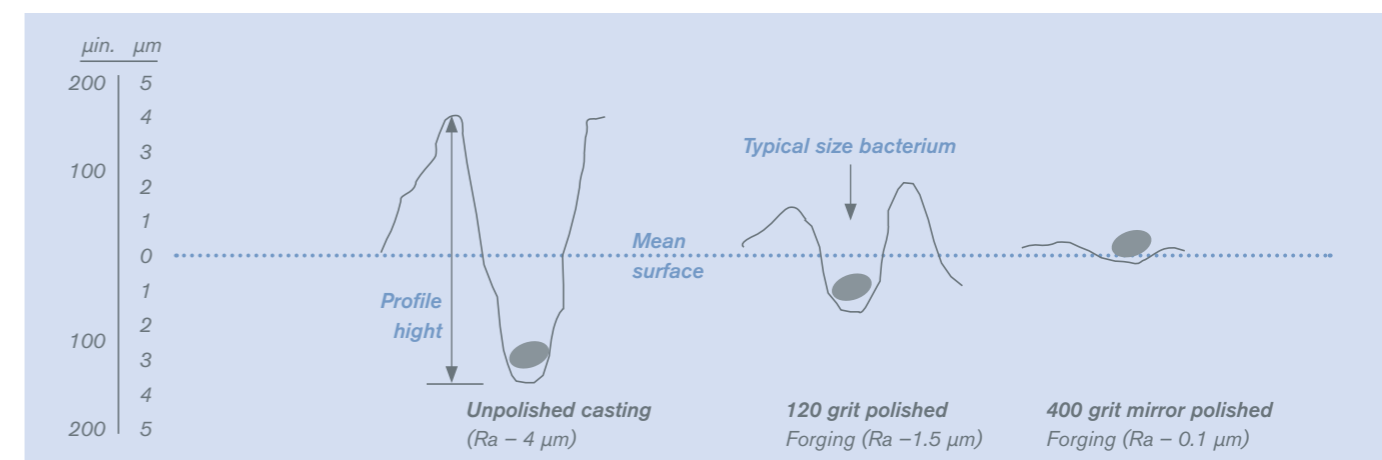
Metals used for bodies are	Engineered plastics used for bodies are
304	PVC
316L	PVDF
CF8M	PP
1.4571	
1.4435	
1.4435 BN2	
ASME BPE	
Hastelloy	
Titanium	
Tantalum	

Body Finishes

All our valve bodies are machined and finished in house employing the latest computer controlled machines, the most dedicated people and the best measurement equipment.

Standard metallic body finishes in μm are listed below. Additionally electro-polishing is a common request from our clients which we have also made an internal competence.

Surface finish	6.3	3.2	2.7	1.6	0.89	0.75	0.625	0.51	0.375	0.28	0.25
Ra μm											
Ra μInch	250	128	108	64	35	30	25	20	15	11	10
Grit					150		180	240	280	320	330



Angle Seat On/Off Valves

The ideal alternative to complex actuated ball valves, the angle seat valve configuration is a real fit and forget solution. Bürkert's quality is evident. We are known as the market leader with this pattern and it is deployed successfully around the world in thousands of customer's machines and factories.

Valve Body: Gunmetal, Stainless steel 316L

Seal: PTFE as standard, others on request

Port Types: NPT, BSP Threaded, Weld End

Function: 2/2 Way

Diameter Orifice: 10 to 65 mm

K_v-value: 2,4m³/h to 90 m³/h

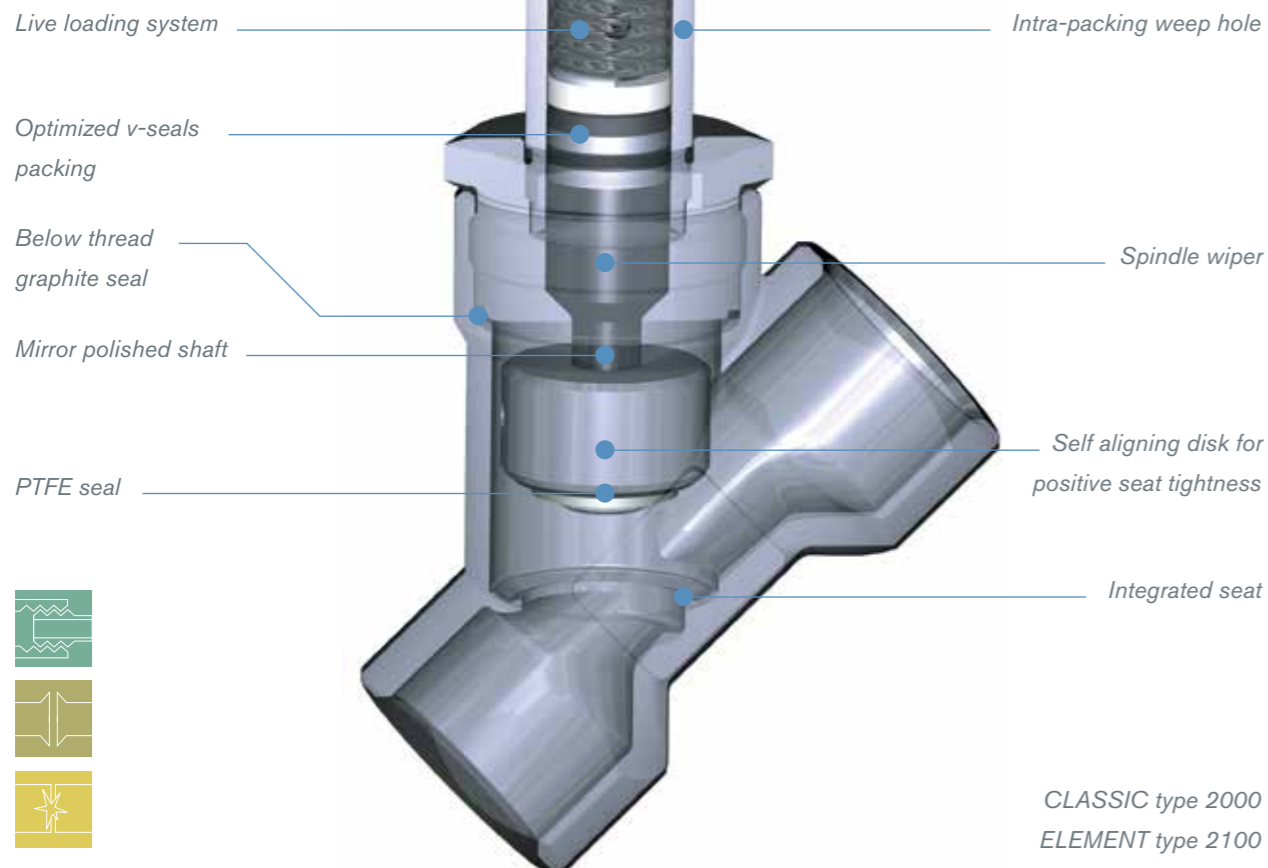
Nominal pressure: PN 25

Medium temperature:

-10 to 180 °C (CLASSIC type 2000)

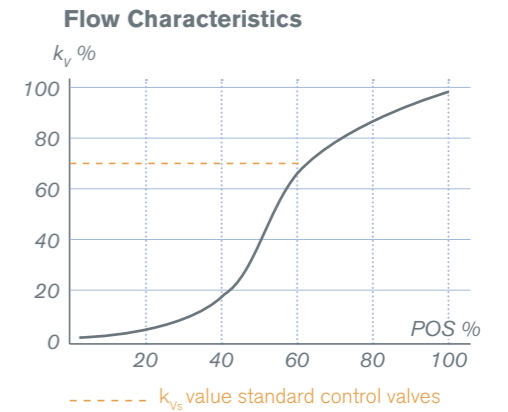
-10 bis +185 °C (ELEMENT type 2100)

- **Flow below the seat – for water and other non-gaseous media. For waterhammer free operation.**
- **Flow above the seat – for compressible media including gases and steam. Allows use of smaller actuator.**

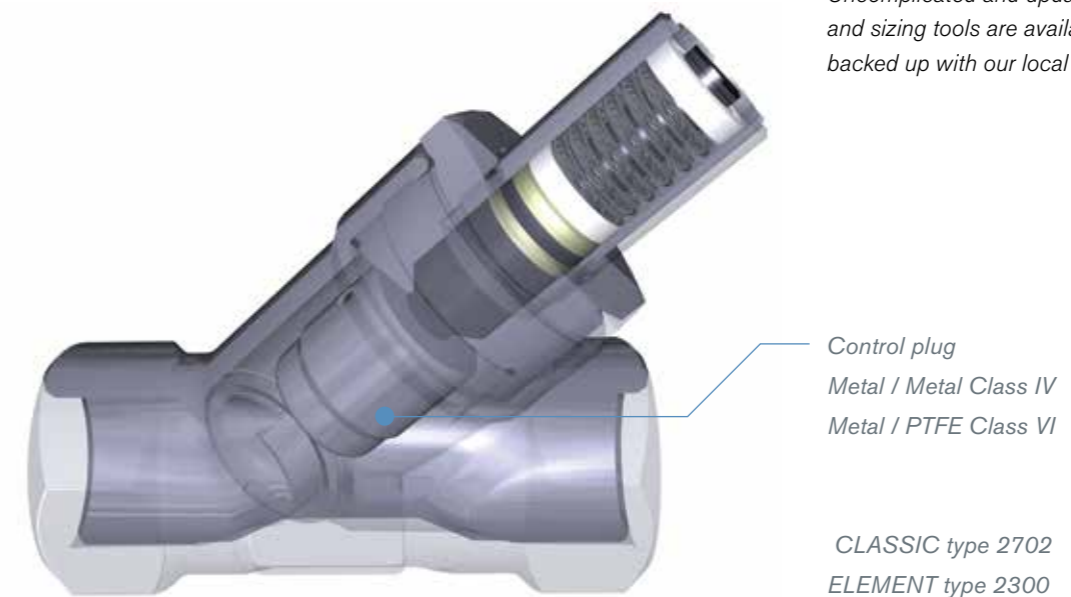


Angle Seat Control Valves

An uncomplicated control valve with large flows perfectly suited to steam, heat exchange and flow control applications. Our groundbreaking innovation provides you with superior features as standard. Bürkert has continuously improved its remarkable 2702 valve to meet our customers' demanding environments.



Uncomplicated and updated configuration and sizing tools are available online backed up with our local technical support.



Valve	
Material	Stainless steel investment cast 316L
Port connection	Weld end in according to ISO 4200 DIN 11850, Series 2, BS4825, ASME BPE DN 15 – DN 50 (1/2 to 2") Threaded port G, NPT and Rc DN 13 – DN 50 (1/2 to 2")
Nominal pressure	PN 25

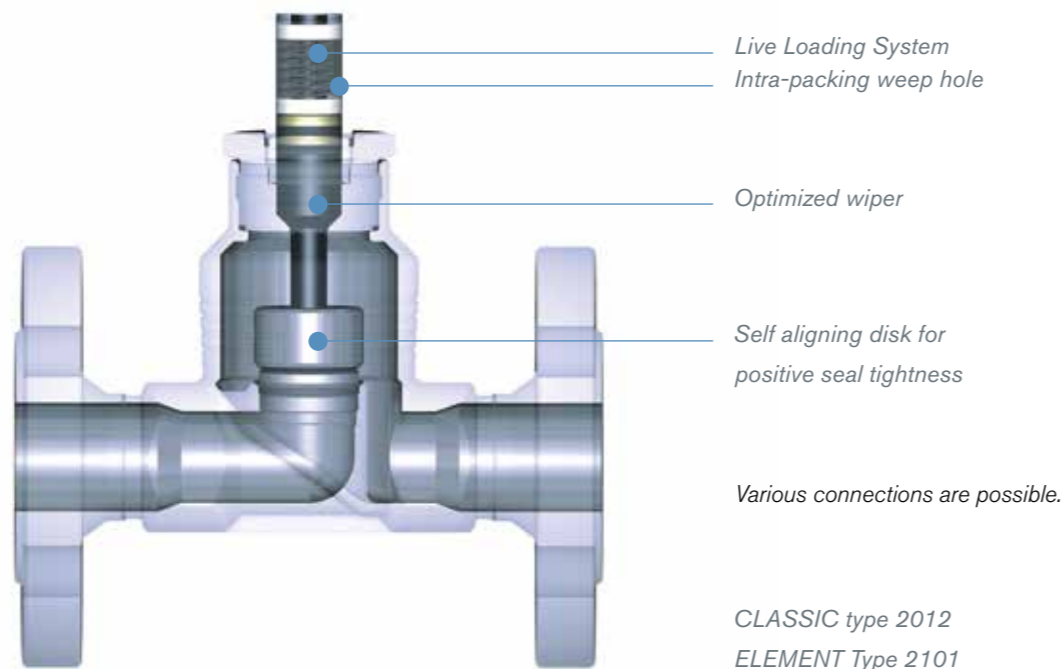
Operating conditions	
Medium temperature	-10 to +180°C (CLASSIC type 2702) -10 to +185°C (ELEMENT type 2300)
Ambient temperature	-10 to +55°C (in combination with control head / positioner) High temperature version on request
Medium pressure	up to max. 16 bar
Options	Vacuum versions and valves which are cleaned for oxygen service are also available

Globe On/Off Valves

A compact alternative to many pneumatically actuated valves, this globe pattern valve is especially convenient for smaller spaces or for connections requiring flanges. It is a fit and forget solution which carries Bürkert's angle valve quality.

Valve	
Material	Investment cast 316L
Port connection	Flange in according to DIN EN 1092-1 ANSI B16.5, JIS B2238 DN 10 – DN 100
	Weld end in according to ISO 4200 DIN 11850, Series 2, BS4825, ASME BPE DN 10 – DN 100
	Threaded port G, NPT and Rc DN 10 – DN 65
Nominal pressure	PN 25

Operating conditions (dependent on application)	
Medium temperature	-10 to +180°C (CLASSIC type 2012) -10 to +185°C (ELEMENT type 2101)
Ambient temperature	-10 to +60 °C (Actuator Size F Ø 80 mm to H Ø 125 mm) -10 to +50 °C (Actuator Size F Ø 175 mm and L Ø 225 mm) High temperature version on request
Medium pressure	Max. 16 bar



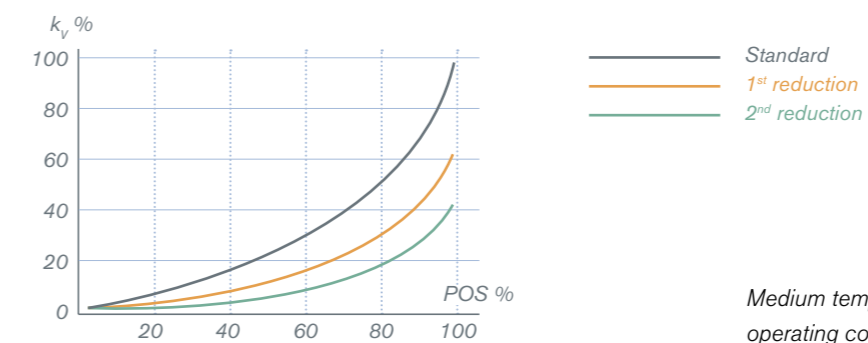
Globe Control Valves

A winning solution for many precise control applications, the globe control valve is the standard in many industries. Bürkert's idea is to take the standard to a new level in an ultra-compact, light weight envelope. These valves exhibit effective valve characteristics for continuous variation of the flow as a function of the parabolic plug position guided by a linear low friction stem.

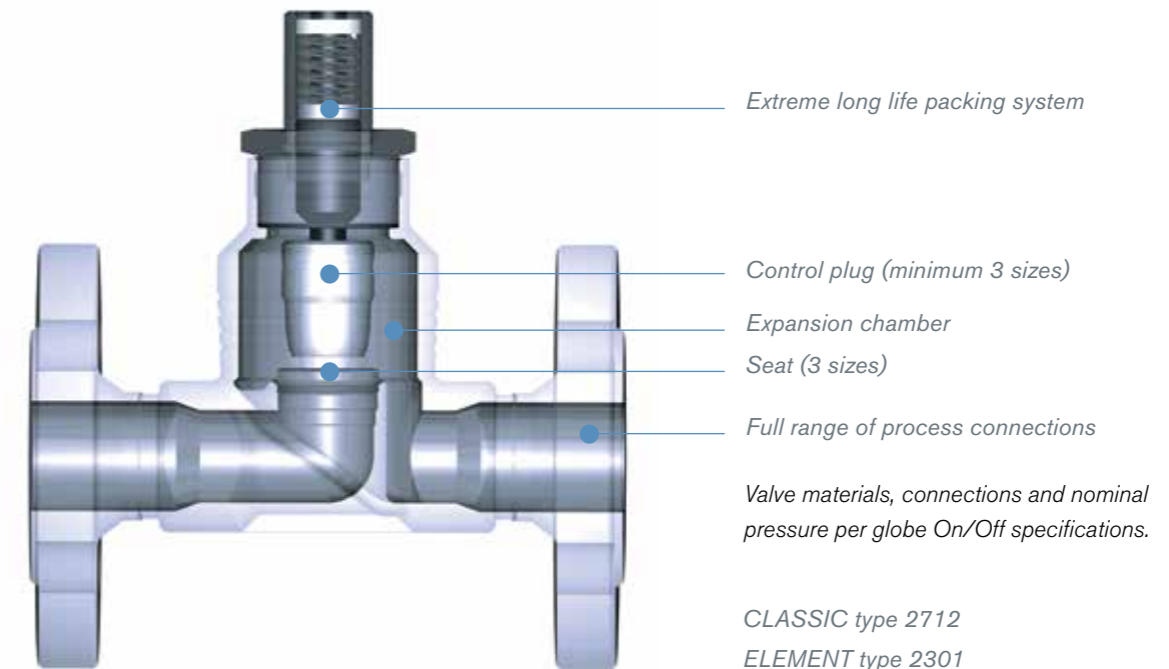
Stainless steel or PTFE seals to give either Class IV or Class VI shutoff and each body size has a range of control plugs and corresponding replaceable seats for perfect sizing of any throttling application. Uncomplicated and updated sizing and configuration tools are available online backed up with our local unparalleled consulting and technical support.

Flow Characteristics

3 k_{vs} values per body size as standard feature



Medium temperature and pressure and ambient operating conditions per Globe On/Off specifications



Diaphragm On/Off Valves

Available in a wide range of plastic and metallic materials, this isolated and media resistant design has an excellent reputation for versatility and reliability in both aseptic and in industrial applications where corrosive, pure or abrasive media are controlled.

The diaphragm is the key performance component within a modular architecture and is relied on to provide leak-tight shutoff to the downstream side of the weir, to atmosphere and to the actuator mechanism.

Standard and customized diaphragm materials are offered for requirements of temperature, chemical resistance or specific USP certifications.

We continuously develop our understanding of all aspects of polymer and rubber technology, diaphragm design and lean production techniques.

The bodies can be provided to meet many surface finish requirements and usually are accompanied by a host of quality and industry specific certifications or approvals.

The weir pattern of the valve has a very favorable flow characteristic and is also drainable and abrasion resistant. We deliver cast and forged stainless steel, hydro-formed bodies and plastics with many different process connections to a wide variety of customers who expect their particular solution works every time.



Valve	
Material	Investment cast 316L – 1.4435 Forged 1.4435 BN2 – ASME BPE Hydroformed tube: 316L
Port connection	Flange according to DIN EN 1092-1 ANSI B1 6.5, JIS B2238 DN 10 – DN 100
	Weldends ISO 1127 - DIN 11850, BS4825, ASME BPE, JIS DN 04 – DN 100
	Clamp: ISO, BS, DIN, ASME DN 04 – DN 100
	Threaded port G, NPT and Rc DN 10 – DN 65
Nominal pressure	PN 10



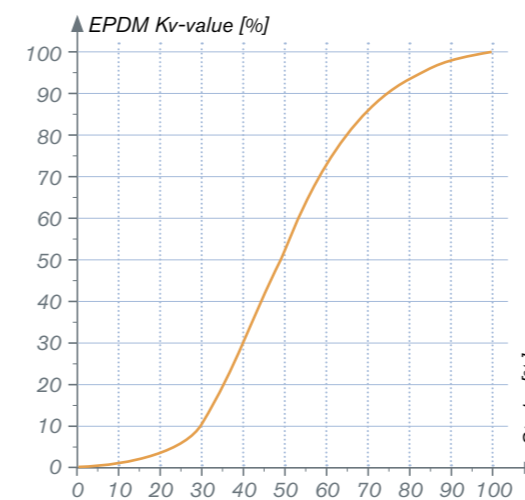
CLASSIC types 2030, 2031, 3230
Manual types 3232, 3233
ELEMENT type 2103

Diaphragm Control Valves

The weir pattern is quite unique in its ability to control very pure substances where a minimum of wetted materials and dead volumes are absolutely required although using a diaphragm valve without proper understanding of its inherent flow profile would present difficulties.

With the help of our range of very smart positioning software our diaphragm technology can be made to respond to the challenge of accurate and reliable flow and pressure control.

Our customers get all the resistance and drain-ability advantages of the weir pattern valve mixed with accurate control characteristics.










Operating conditions (dependent on application)	
Medium temperature	-10 to +130 °C (sterilisation +150 °C)
Ambient temperature	Actuator <100mm +5 to +140 °C Actuator 100 - 125mm +5 to +90 °C / short-term up to +140°C Actuator ≥175mm -10 to +50 °C
	PPS actuator +5 to max. +90 °C
Medium pressure	Up to max. 10 bar



CLASSIC types 2730, 2731
ELEMENT type 2103

Materials, Sizes and Connections

Our diaphragm valves fulfill a large range of applications controlling pure, aggressive or contaminated fluids. We employ both engineered polymers and high quality metals according to your exact requirements of size, function, connection and wetted materials to provide higher process efficiency, process flexibility and optimum flow and cleanability.

Valve Bodies							
							
	PVC	PVDF	PP	Cold-formed pipe	Cast	Forged	Forged
Types	3232 (manual) 2030 (pneumatic ON/OFF CLASSIC) 2730 (pneumatic control CLASSIC)	3232 (manual) 2030 (pneumatic ON/OFF CLASSIC) 2730 (pneumatic control CLASSIC)	3232 (manual) 2030 (pneumatic ON/OFF CLASSIC) 2730 (pneumatic control CLASSIC)	3233 (manual) 2031 (pneumatic ON/OFF CLASSIC) 2731 (pneumatic control CLASSIC)	3233 (manual) 2031 (pneumatic ON/OFF CLASSIC) 2731 (pneumatic control CLASSIC) 2103 (pneumatic ON/OFF and control ELEMENT)	3233 (manual) 2031 (pneumatic ON/OFF CLASSIC) 2731 (pneumatic control CLASSIC) 2103 (pneumatic ON/OFF and control ELEMENT)	2036 (pneumatic ON/OFF)
Diameter orifice [mm]	8	■	■		■	■	■
	10	■	■		■	■	■
	15	■	■	■	■	■	■
	20	■	■	■	■	■	■
	25	■	■	■	■	■	■
	32	■	■	■	■	■	■
	40	■	■	■	■	■	■
	50	■	■	■	■	■	■
	65		■		■		■
	80	■	■		■		■
100	■	■		■		■	
Body connections	Union	■		■			
	Socket	■	■	■			
	Thread				■		
	Clamp					■	■
	Flange		■		■		
	Weld				■	■	■
Diaphragm material	advanced PTFE vulcanised						■
	EPDM	■	■	■	■	■	■
	PTFE	■	■	■	■	■	

Widest Range of Configurations

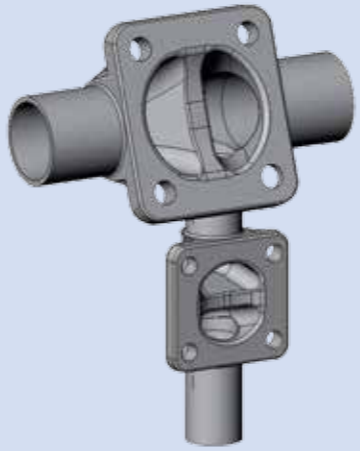
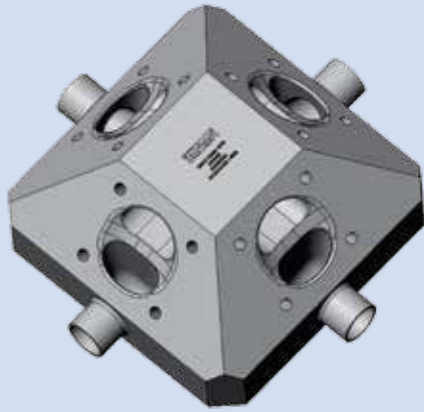
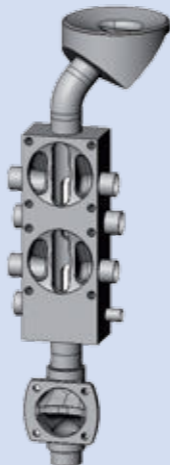
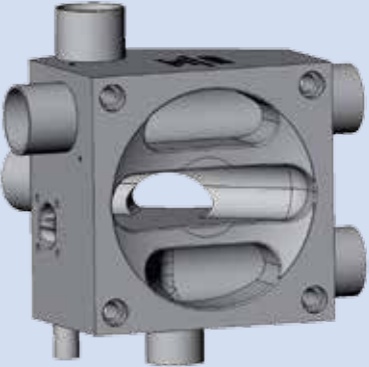
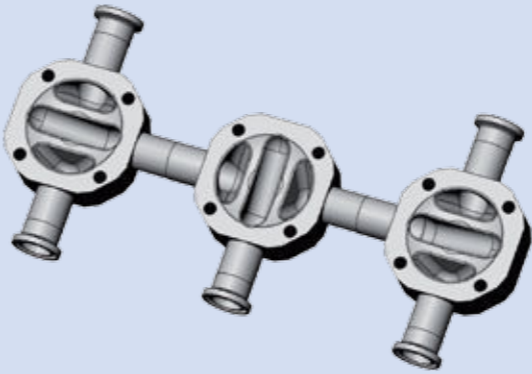
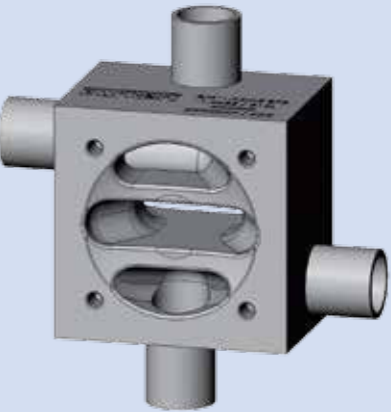
We truly have more to offer when it comes to diaphragm valves. Because we take the design back to first principles and build on our experience. The patented Robo pattern also adds endless possibilities which simply cannot be achieved with combinations of standard diaphragm valves. We do our best to help you visualize the benefits with online configurators and descriptive quotations and our people are trained to offer you only the best solution in your daily application language.



In-line

Zero-static Tee

Tank bottom

Weld	Block
	
	
	

Quarter Turn – Ball Valves

All the quarter turn valves can be actuated manually, electrically or pneumatically and can also employ all of the possible feedback and control modules available from one source.



Types 2657 | 2658 – True Union plastic ball valves

True Union plastic ball valves, particularly suitable for industrial applications, where high performances and long time reliability are required. Longevity of the seals in situations where vibration or thermal expansion occurs.

Type 8805 – Two piece ball valves with pneumatic actuator

Compact two piece full port ball valves. 316 stainless steel, a range of threaded ready to accept a locking device. Silicone free. Investment cast 316 stainless steel body with blow-out proof stem.



Type 8805 – Three piece ball valves with pneumatic actuator

Compact three piece full port body in 316 stainless steel for a variety of applications with a range of end connection options.



Quarter Turn – Butterfly Valves



Type 2675 – Plastic butterfly valves

Wafer style plastic butterfly valves are perfectly suited for a wide range of large line diameter and low pressure industrial applications. They can be manually, pneumatically or electrically actuated. Up to DN 200.

Type 2672 – Metal butterfly valves

2-way butterfly valve which can be manually, electrically or pneumatically operated. Body material is cast iron with a stainless disc. Available in size DN 50 to DN 100 these valves compliment our total process offering.



Sanitary butterfly valves

Sanitary butterfly body with optimised laser-cut operator connection to Bürkert's actuation systems. 3A certification for use in many hygienic processing applications. Optimized, lightweight and clean design makes this a perfect choice.



Operators

Our wide range of valves require an equally flexible system of operators. At the center is our uncompromising modularity. Both manual and automated solutions are engineered with simplicity in mind.

Manual	Electric	Rotary	Dual	CLASSIC	ELEMENT
<ul style="list-style-type: none"> ▪ Simple ▪ Long life ▪ Direct  <p data-bbox="231 1906 379 1942">Page 26</p>	<ul style="list-style-type: none"> ▪ Strong ▪ No air required ▪ Slow & precise  <p data-bbox="706 1906 854 1942">Page 27</p>	<ul style="list-style-type: none"> ▪ Flexible ▪ Interface ready ▪ Light  <p data-bbox="1181 1906 1329 1942">Page 28</p>	<ul style="list-style-type: none"> ▪ Unique ▪ Intelligent ▪ Resistant  <p data-bbox="1647 1906 1795 1942">Page 29</p>	<ul style="list-style-type: none"> ▪ Long life ▪ Trusted ▪ Interface ready  <p data-bbox="2122 1906 2270 1942">Page 30</p>	<ul style="list-style-type: none"> ▪ Intelligence ready ▪ Internal routed ▪ Beautiful  <p data-bbox="2597 1906 2745 1942">Page 32</p>

Manual

The simplest and non-automated operation of valves plays an important role in all plants and machinery. Bürkert offers a wide range of manually operated valves and the operators are constructed to offer reliability and long life. Handwheels and levers must operate a wide variety of valves sizes from DN 8 to DN 150 and our program has evolved to be able to offer a wide range of materials and options. We concentrate on using materials which offer long term stability in demanding environments like PPS and stainless steel. Many of the manual solutions must offer the ability to be locked, stroke adjustment, digital or dial position indication and electrical feedback switches.



Stainless handwheel and bonnet with visual indication and lockable option



Range of simple lever operators for ball and butterfly valves including lockable functions



Precision PPS bonnet and handwheel for small diaphragm valves

Valve sizes	Materials	Features
DN 8 to DN 200	PPS x stainless, stainless x stainless	Locking, stroke adjustment, position indicator, feedback switches

Electric

Bürkert's electrical actuators provide torques to suit many applications from 20 to 100 Nm. The actuators offer fast rotation times with all standard AC and DC voltages and using rugged electrical connections. Connection to many types of quarter turn valves is made through the ISO flange fixation from F03 to F07 with a female star drive adaptor. The actuators deliver both On/Off and analogue control through signal inputs and outputs of 0/4 - 20 mA and 0 - 10 VDC.



Type 3003

Electric rotary actuator for quarter-turn valves with torques of 20, 35, 60 and 100 Nm. Manual override and visual position indicator.

Type 3004

Explosion proof rotary actuator – On/Off and control. A compact, powerful actuator for use in hazardous areas. It provides a long service life and uses materials and components that have been chosen for maintenance-free operation. The modular design offers many options such as extra limit switches or potentiometers, to be added to the basic unit.



Type 3005

Electric rotary actuator – for On/Off and control can be directly mounted on quarter-turn valves. Includes manual override and is corrosion resistant and protected to IP 67. Integral adjustable limit switches and multiple voltages are standard.



Rotary

Bürkert offers a maintenance free actuator with a more compact and efficient design. Helical actuator principle turn linear air pressure force into torque to drive quarter turn valves. Smart, low friction, actuator design uses less air than other actuators and provides fast response times.

Materials such as PA or PPS are available combined with metal inserts for the pneumatic connection in brass or stainless steel, to provide increased chemical resistance and allow the use in high ambient temperatures.

Visual indication is a standard feature. The rotary actuator can interface with all pilot valves, feedback switches or positioners.



Type 2050

Helical rotary actuator for quarter-turn applications is perfectly suited to accept all of the possible control and communications modules.

Dual (Robolux)

Actuator specifically designed for our unique multiway multiport valves. Compact, smart and reliable they keep providing process efficiency and higher yields.

Inside the stainless steel actuator there are two individual pistons to drive a shared diaphragm on two seats. The patented Robolux technology eliminates dead legs and minimizes the volume of the flow system.

Optimized feedback and control heads allow a compact and hygienic automation, according to the complete Bürkert concept for decentralized automation.

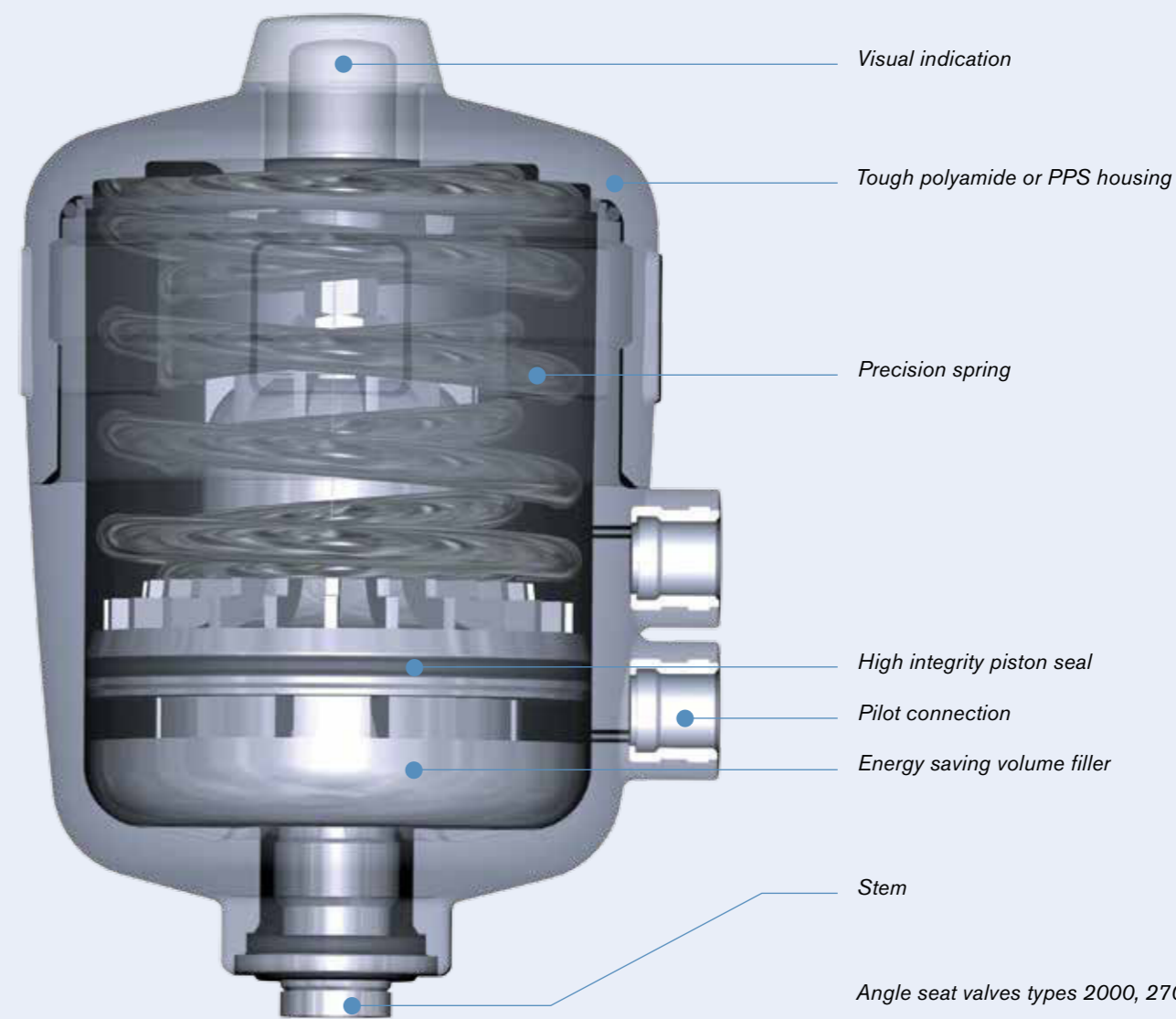


Type 2036 Robolux
multiway multiport valve

CLASSIC

This actuator has been installed around the world in factories and in machines for an extremely wide variety of duties. It is known universally as the fit and forget actuator which just keeps going. The actuator is designed to use less energy through the use of clever volume fillers which do not impede the stroke and lasts longer because of the fact that each actuator part is molded in house according to our high quality standards and assembled almost completely within robot cells. The integrity of the inner surface of the cylinder and the flexible N-ring seal are the roots of the amazing lifespan.

A large range of diameters (40 mm, 50 mm, 63 mm, 80 mm, 100 mm, 125 mm, 175 mm, 225 mm) means that you only invest in what you need. The actuator employs polyamide (PA) for standard applications and polyphenylsulphone (PPS) for high ambient temperatures or superior chemical resistance. These normally open (NO), normally closed (NC), double acting heads are infinitely rotatable for pneumatic connection in your process.



- Visual indication
- Tough polyamide or PPS housing
- Precision spring
- High integrity piston seal
- Pilot connection
- Energy saving volume filler
- Stem

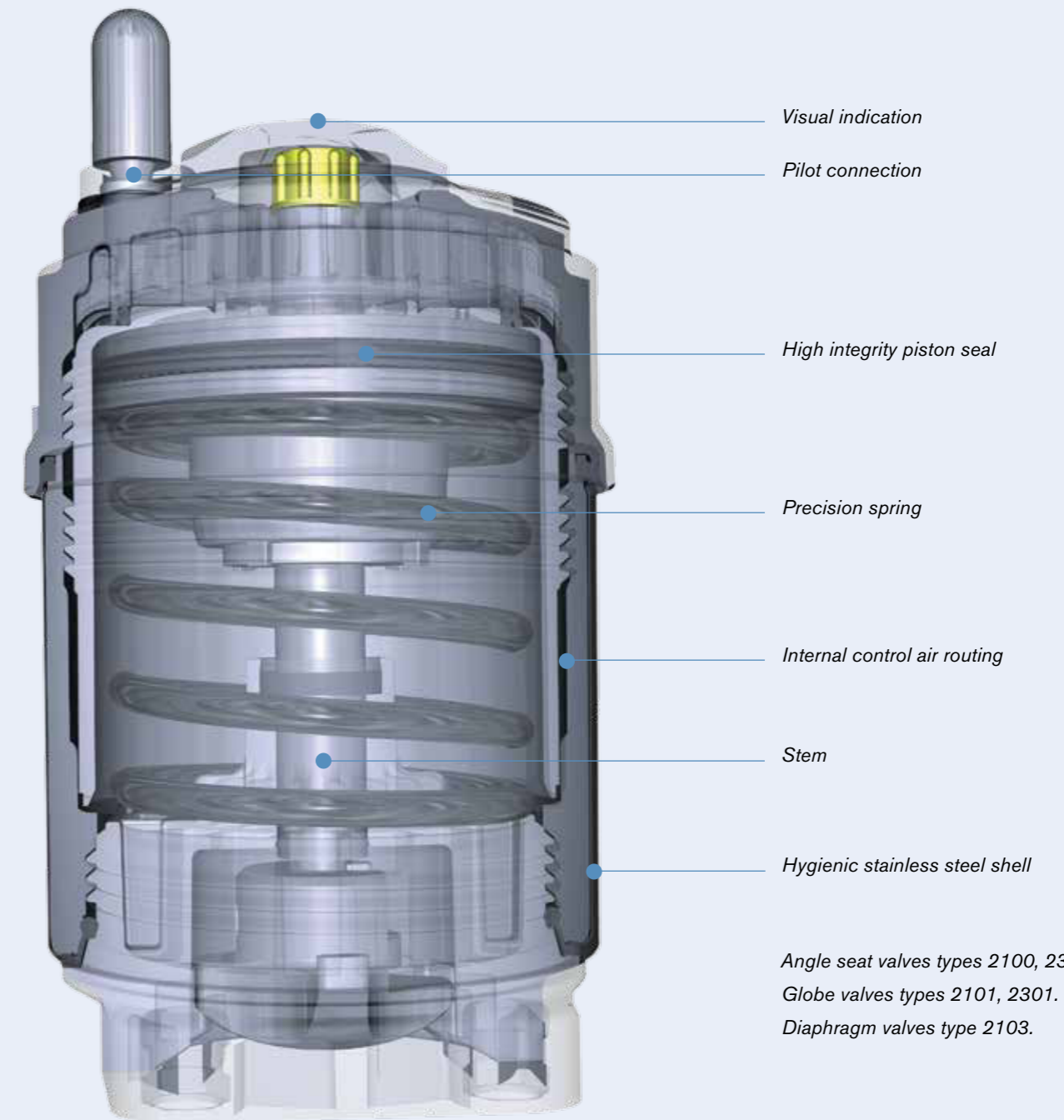
Angle seat valves types 2000, 2702.
 Globe valves types 2012, 2712.
 Diaphragm valves types 2030, 2031,
 3230, 2730, 2731.

ELEMENT

The ELEMENT actuators combine the engineering excellence of the CLASSIC actuators with a fresh new look. Chemical resistance and solid modular connections mix with the beautiful lines of a stainless steel valve with no external tubes or connections. The ELEMENT actuators are built to take advantage by internal control air supply so, unlike any other actuator system, each time the actuator strokes the spring chamber is replenished by clean instrument air. This means:

- no corrosion of the actuator springs
- no dirt inside the actuator
- no humidity transmitted into the control head through the spindle
- no biological contamination inside the actuator
- longer life

Highly cylindrical, precision molded parts reduce the chances of friction making these actuators perfect for both On/Off and control duties increasing the availability of fast, accurate control valve solutions wherever you are in the world.



Visual indication

Pilot connection

High integrity piston seal

Precision spring

Internal control air routing

Stem

Hygienic stainless steel shell

Angle seat valves types 2100, 2300.
Globe valves types 2101, 2301.
Diaphragm valves type 2103.

Control and Communication

Bürkert offers the widest range of equipment to actuate, monitor, network, position and decentral-ize process control into the field. Each component is the product of cross functional mechanical and electrical engineering innovation and exacting laboratory testing. Each of the building blocks is ready to be included in your complete automation strategy.

	Pilot valves	Feedback switches	Control heads	Positioners	Process controllers
	<ul style="list-style-type: none"> ▪ Simple ▪ Reliable ▪ Manual override 	<ul style="list-style-type: none"> ▪ Secure ▪ Flexible ▪ Protected 	<ul style="list-style-type: none"> ▪ Modular ▪ Networking ▪ Teachable 	<ul style="list-style-type: none"> ▪ Display or blind ▪ Internal control air routing ▪ Accurate 	<ul style="list-style-type: none"> ▪ ProcessTUNE enabled ▪ On-board PID ▪ Graphic display
					
	Page 36	Page 38	Page 40	Page 44	Page 48
Actuate	▪	▪	▪		
Monitor		▪	▪	▪	▪
Network			▪	▪	▪
Position				▪	▪
Control					▪

Pilot Valves

It is your choice. From the simplest banjo valve to a fieldbus enabled off-road multichannel miracle. We fit within your flexible plant or latest blockbuster machine seamlessly.



Types 6012P | 6014P – Banjo valves

Multiple solutions based on our plunger style or pivoted armature valves. We offer a large range of voltages and process connections with all the right global certifications.



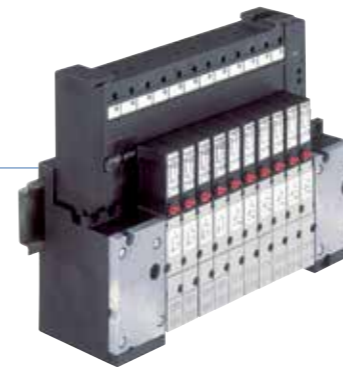
Types 5470 | 6519 – Namur valves

Simple and reliable set up is guaranteed by direct mount according to the namur standard interface. This solution is available in a large range of voltages and process connections.



Manifold mount

Valves arranged on metal or plastic manifolds where the environmental conditions demand the toughest solutions.



Types 8640 | 8644 – AirLINE types

Valves arranged on plastic manifolds with common wiring or fieldbus options. Networking is achieved by the possibility to input feedback channels.



AirLINE Quick type 8640

With its flange plate directly mounted to the wall of compact control cabinets this automation system can be placed very close to the process area to control process valves.



Feedback Switches

The security of knowing that a valve really switched is reassuring in many critical environments. We have packaged switches into a variety of housings to cover a wide range of application environments. From general purpose mechanical switches to solutions for hazardous locations we offer reliable peace-of-mind.

Inductive switches

A simple system which accepts standard inductive threaded sensors.



Type 1060 – Simple open signal switch

This switch tells the operator that the valve has reached its fully open position. Reliable and inexpensive with SPDT 3A relays.



Pneumatic Control Unit / Feedback Type 8697

Compact Control Unit in hygienic design for small actuators. 2-/3-wire mechanical or inductive switches capture and give feedback of the valve position. Approved for ATEX II cat. 3GD and 2GD and optionally available as intrinsically safe version. Optionally a pilot valve can be integrated to control single-acting actuators.

Pneumatic Control Unit / Feedback Type 8690

2-/3-wire mechanical or inductive switches capture and give feedback of the valve position. Approved for ATEX II cat. 3GD and 2GD and optionally available as intrinsically safe version. Optionally a pilot valve can be integrated to control single- or double-acting actuators.



Control Heads

A control head mixes the benefits of local pilot with feedback in one package. Bürkert has the advantage of being able to control the quality of the components inside as they are our own standard products. Add one, two or three pilot valves with mechanical, inductive or sensorpad feedback. Then plug and work.



						
Type	8690	8697	8691	8695	8631	8681
Speciality	Pneumatic Control Unit Simple, robust mounting without external air tubes	Extremely compact pneumatic Control Unit for small actuators Simple, robust mounting without external air tubes	Control Head with LED status display Simple, robust mounting without external air tubes	Extremely compact Control Head for small actuators Simple, robust mounting without external air tubes	Interface to CLASSIC actuator series	Universal Interface to hygienic and sterile valves Reliable IP protection rating for hygienic process technology
Pilot valves	1x 3/2- or 5/2-way with manual override	1x 3/2-way with manual override	1x 3/2- or 5/2-way with manual override	1x 3/2- or 2x 3/2-way with manual override	1x 3/2- or 5/2-way with manual override	Up to 3x 3/2-way with manual override
Feedback	0...2 x mechanical or inductive	0...2 x mechanical or inductive	2 switch points on an analog contactless, wear-free displacement transmitter	2 switch points on an analog contactless, wear-free displacement transmitter	0...2 x inductive	3 switch points on an analog contactless, wear-free displacement transmitter 1 external inductive switch
Communication	Without	Without	AS-Interface DeviceNet	AS-Interface DeviceNet	Without	AS-Interface DeviceNet
Set-Up	Manually	Automatic end position adjustment	Simple, one button, reliable drive adaption by Teach function	Simple, one button, reliable drive adaption by Teach function	Manually	Simple, one button, reliable drive adaption by Teach function
Features	<ul style="list-style-type: none"> On board air filter Flush function/positive pressure protected Internal control air routing and recycling ATEX II cat. 3GD and cat. 2GD, IECEx 	<ul style="list-style-type: none"> On board air filter Internal control air routing and recycling ATEX II cat. 3GD and cat. 2GD, IECEx 	<ul style="list-style-type: none"> On board air filter Flush function/positive pressure protected Internal control air routing and recycling High-power LED status display ATEX II cat. 3GD, IECEx 	<ul style="list-style-type: none"> Internal control air routing and recycling High-power LED status display ATEX II cat. 3GD, IECEx 	<ul style="list-style-type: none"> Resistance to cleaning agents Manual override ATEX II cat. 2G 	<ul style="list-style-type: none"> High-power LED status display Flush function/positive pressure protected Magnetic tool for external manual override ATEX II Cat. 3GD, IECEx

Air Advantages

The ELEMENT range of control heads, positioners and controllers offer four technological breakthroughs which effect the efficiency and lifetime of all the actuators it is coupled with. Innovative thinking and acting has produced advantages which should easily find their way into solid engineering specifications as they will be appreciated in the field as they will save headaches, time and investment.

As well as the inherent good looks of the system these four points are tough to overlook.

Housing protected by over pressure

In the housing of types 8690 and 8691 a slight overpressure is controlled via the integrated air venting valve to prevent ingress of water and accumulation of condensate. Possibly negative pressure by cold washdown is avoided. Creation and collection of condensate is prevented.

Integrated air inlet filter

An easy to service stainless steel mesh filter protects against the infiltration of bigger particles after the plant installation und during the normal service. Functional safety and lifetime of the actuator and the actuation are optimised.

Integrated pilot valve

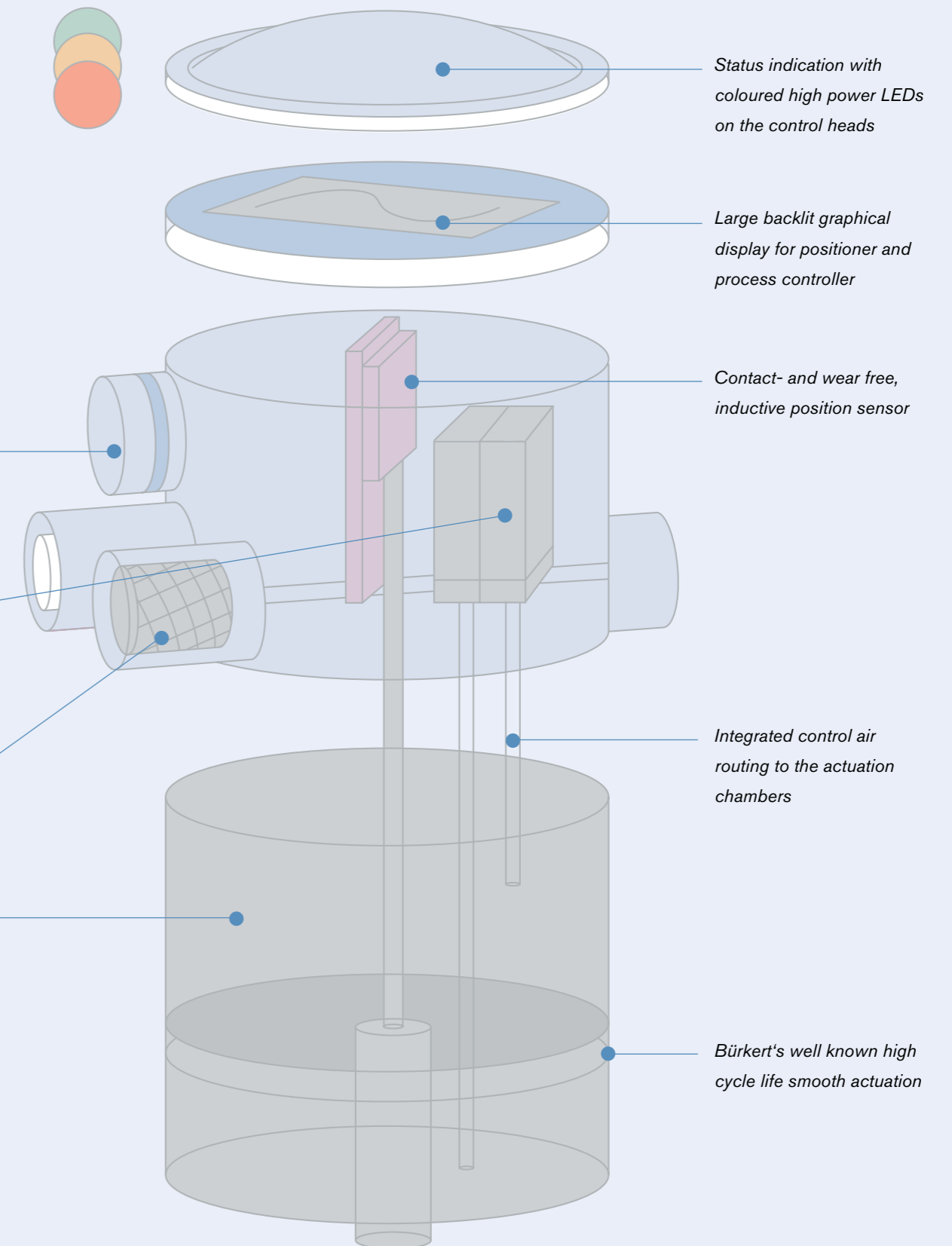
Proven Bürkert pilot valves with outstanding life time are used. Equipped with a manual actuation the in field operation of the process valve system is easy to handle. It enables the internal control air routing with compressed air recycling of the actuator.

Compressed air recycling

By internal control air supply via the integrated pilot valve both chambers of the pneumatic actuator are charged with control air. With every power stroke- open and close- control flushes from the air vent of the actuation. In no case ambient atmosphere is drawn in the spring chamber.

This means:

- no corrosion of the actuator springs
- no contamination or humidity inside the actuator
- from the actuator chambers no humidity gets inside positioner and actuation
- no contamination of the plant environment by possible biological growth in the actuation chamber



Positioners

A range of solutions to fit your requirements from simple cabinet mounted, DIP switch programmable blind positioner to a sleek, bus compatible with backlit display and intuitive programming.



Type	8692	8694 BASIC	8696 BASIC	8792	8791 BASIC	8635
Speciality	Large backlit display Simple, robust mounting without external air tubes	Blind version for perfect positioning with Teach function	Extremely compact blind version for perfect positioning with Teach function	Yoke mountable Rotary input Remote mount	Cabinet based blind version for perfect positioning with Teach function	Yoke mountable Rotary input Remote mount
Input	4 - 20 mA, 0 - 20 mA, 0 - 5 VDC, 0 - 10 VDC Binary input	4 - 20 mA Binary input	4 - 20 mA Binary input	4 - 20 mA, 0 - 20mA, 0 - 5 VDC, 0 - 10 VDC Binary input	4 - 20 mA Binary input	4 - 20 mA, 0 - 10 VDC Binary input
Measurement	Contactless inductive sensor	Contactless inductive sensor	Contactless inductive sensor	Potentiometer Contactless inductive sensor (remote)	Contactless inductive sensor	Potentiometer
Communication	Profibus DPV1 DeviceNet	AS-Interface	None	Profibus DPV1 DeviceNet	AS-Interface	n/a
Output	Binary (2) 4 - 20 mA	4 - 20 mA (position)	4 - 20 mA (position)	Binary (2) 4 - 20 mA	4 - 20 mA	Binary (2) 4 - 20 mA
Features	<ul style="list-style-type: none"> ▪ Integrated control air routing and control air recycling ▪ Air filter ▪ Chemical resistance ▪ Hygienic design ▪ ATEX II cat. 3GD, IECEx 	<ul style="list-style-type: none"> ▪ DIP switch / software operation ▪ Integrated control air routing and control air recycling ▪ Air filter ▪ Chemical resistance ▪ Hygienic design ▪ ATEX II cat. 3GD, IECEx 	<ul style="list-style-type: none"> ▪ DIP switch / software operation ▪ Integrated control air routing and control air recycling ▪ Chemical resistance ▪ Hygienic design ▪ ATEX II cat. 3GD, IECEx 	<ul style="list-style-type: none"> ▪ Backlit graphic display ▪ Air filter ▪ Chemical resistance ▪ Single and double acting ▪ ATEX II cat. 3GD, IECEx 	<ul style="list-style-type: none"> ▪ DIP switch / software operation ▪ Air filter ▪ IP20 ▪ Single and double acting 	<ul style="list-style-type: none"> ▪ Display inside case ▪ Chemical resistance ▪ 2-wire device ▪ ATEX II cat. 2GD, IECEx

Positioners Functional Advantages

A positioner is made from three distinct parts; a displacement transducer for detecting the position of the valve in its stroke, some control electronics, and finally, a set of valves to supply or release the pneumatic power.

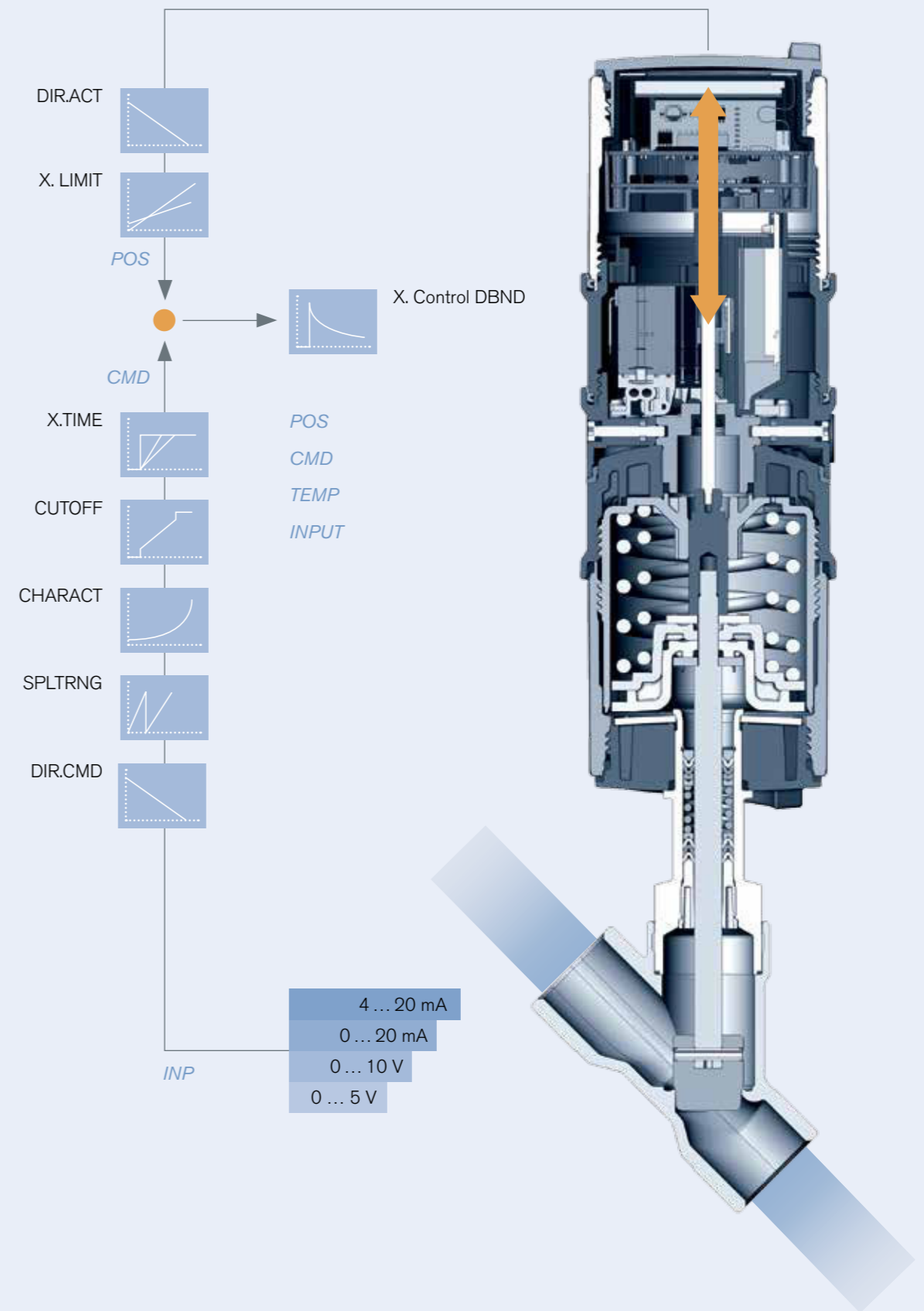
The pneumatic valves allow air in or out of the actuator according to the desired position. The displacement measures how far away from the desired position the valve is and the control electronics determine the amount of air which should be exhausted or added.

For basic operation the positioner only needs a command signal, air and power but these positioners are packed with lots of time and money saving extras, offer flexible opportunities for optimizing the function for the application.

Positioner specific valve software functions like close tight cut-off, inversion, free customized characteristic, start position, and split range provide the perfect collection of advantages.

These functions are selected as needed offering a complete automation concept for integration into the most up-to-date control systems. All Bürkert positioners are based on the same operating structure, which unites the features of simple and clear operation.

Designed for tough and agile process environments the positioner's design optimizes size, shape and cleanability, footprint and access code security.



Process Controllers with PID On Board

Bürkert was the pioneer of real on-valve process intelligence. Cross competence innovation in the interface between control electronics and mechanical precision resulted in a range of perfect decentralized control solutions to make your world simpler. Each one capable of replacing multiple components from traditional control loops, they are simple to install and configure.

With our ProcessTUNE we really have made PID as simple as your car's cruise control. Take a test, drive as soon as you can.



Type	8693	8793	8635
Speciality	Backlit graphic display, hygienic design robust mounting without external control air routing	Yoke mountable Rotary input Remote mount	Yoke mountable Rotary input Remote mount
Input	RTD (Pt100), Pulse, 4 - 20 mA	RTD (Pt100), Pulse, 4 - 20 mA	RTD (Pt100), Pulse, 4 - 20 mA
Measurement	Contactless inductive sensor	Potentiometer Contactless inductive sensor (remote)	Potentiometer
Communication	DeviceNet, Profibus DPV1	DeviceNet, Profibus DPV1	n/a
Output	4 - 20 mA, 2 binary	4 - 20 mA, 2 binary	4 - 20 mA, 2 binary
Features	<ul style="list-style-type: none"> ▪ Advanced Process TUNE ▪ Integrated control air routing and recycling ▪ Air filter ▪ IP20 ▪ Chemical resistance ▪ ATEX II cat. 3GD, IECEx 	<ul style="list-style-type: none"> ▪ Advanced Process TUNE ▪ Backlit graphic display ▪ Air filter ▪ Chemical resistance ▪ ATEX II cat. 3GD, IECEx 	<ul style="list-style-type: none"> ▪ Process TUNE ▪ Display inside case ▪ Air filter ▪ Chemical resistance ▪ ATEX II cat. 2G, IECEx

Process Controller Functional Advantages

Process variables such as temperature, pressure, flow rate or level are crucial to process engineering sequences.

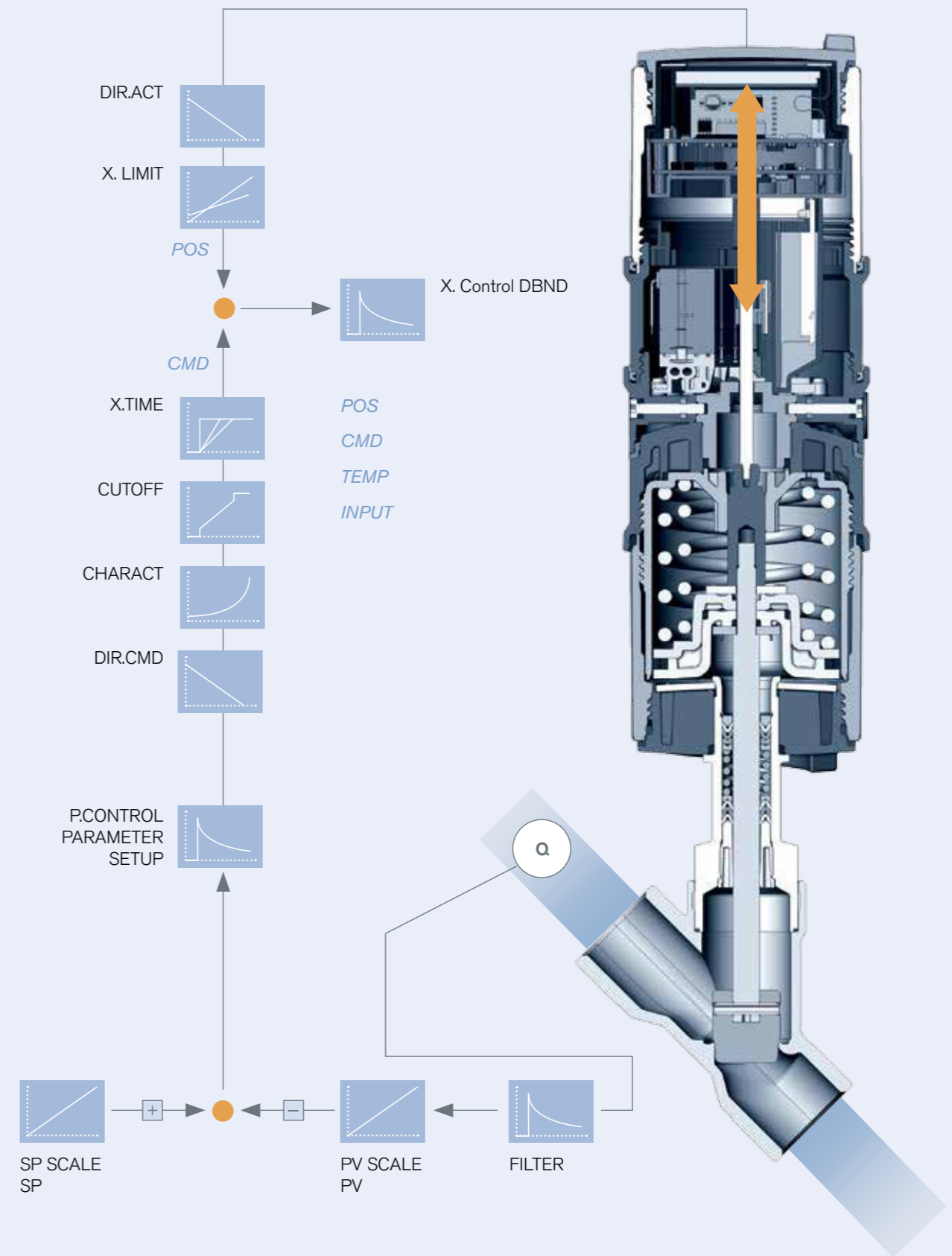
The actual process value is detected by means of a suitable sensor in the process and compared to the process set-point.

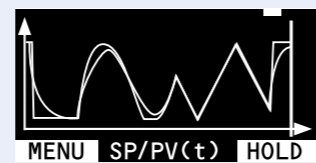
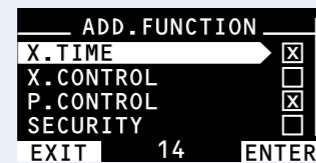
Depending on the magnitude and operational sign of control deviation, the process controller computes the position set-point for the position control loop. The process variable is then changed by opening or closing the valve. Continuous measurement of the actual process value and comparing it with the process set-point minimizes the control difference between the two values.

Operating structure of the positioners

Inside this small package is an intuitive, fast reliable controller with advanced ProcessTUNE. Add to this specific valve software functions like close tight cut off, inversion, free customized characteristic, start position, and split range and you have the perfect collection of advantages.

Distributed intelligence with a clear connection through standard bus protocols, to the coordination and supervisory level is an important part of the design.





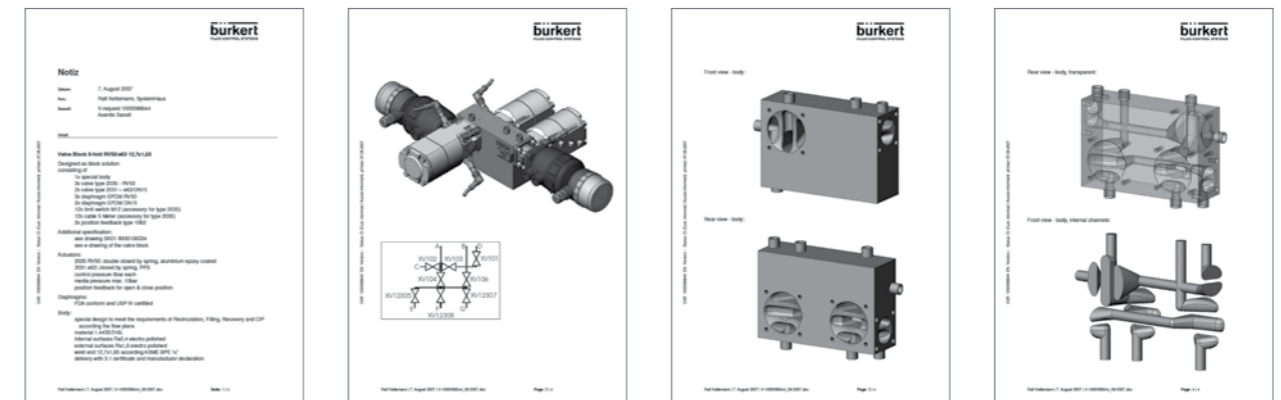
Intuitive Intelligence Inside Valves

Complete and adaptable to individual needs

The innovative positioner and controller range offers a complete automation concept for integration into the most up-to-date control systems. Designed for tough and agile process environments the devices design is particularly suited to the specific requirements of users in the food, cosmetic, beverage and pharmaceutical industries in terms of size, shape and cleanability, footprint and access code security.

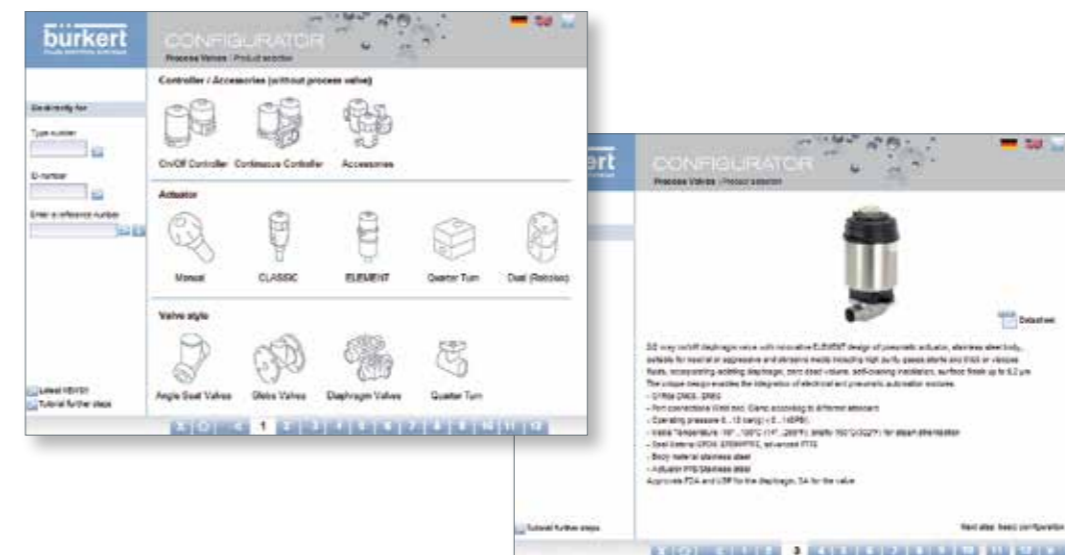
Configuration and Sizing Software Tools

Uncomplicated and updated configuration tools are available online backed up with our local well trained and friendly technical support. We also optimize our commercial offers by including information to simplify your decisions such as drawing support for complex piping arrangements.



Typical total process valve solution offer

With considerably less investment in planning, assembly and costly wiring ELEMENT makes your process life simpler.



Intelligent Technology in the Field

The status quo:

Application-specific standardization of systems

As a key technology in the automation sector, fieldbus technology now offers a range of standardized bus systems that have been specialized and optimized for specific industries or specific applications.

Opening up this intelligent technology with optimum efficiency for the customer is a welcome and sought-after challenge for our team of consultants who, owing to their pioneering experience, process the crucial knowledge for developing future-oriented solutions. And what would highly qualified engineers find more motivating than an unsolved problem?

The fact that Bürkert has the "tickets" for the future-oriented fieldbus technology worldwide makes the choice simple for our customers, but "difficult" for our experts who wish to be challenged by new tasks.

Catching the right bus

The "evolution" of network technology has essentially developed from the principle of centralization through to distributed intelligence. Of course, this also necessitates components that comply with all aspects of the new "command structure". Maximum availability and minimum possible downtimes are but two key aspects of more efficient, i. e. advanced, operation of a system or installation which is based on future-proof fieldbus technology. It is certainly worth considering opting for a technology leader who has been involved right from the very start and who can therefore provide the appropriate solution to an individual problem as an integrated system. With Bürkert, you are riding the bus to the future.

Networking:

Information on the future of networking

Various user associations track the ongoing evolution of individual bus systems. Visiting the following websites will fill you in on the latest developments:

- AS-International Association
www.as-international.net
- CANopen
www.can-cia.de
- DeviceNet
www.odva.org
- Ethernet
www.iaona-eu.com
www.ida-group.org
www.odva.org
www.profibus.com
- FOUNDATION Fieldbus
www.fieldbus.org
- HART Communication Foundation
www.hartcomm.org
- INTERBUS Club
www.interbusclub.com
- PROFIBUS International (OI)
www.profibus.com



Ethernet



Market Oriented Solutions

Want more flexibility

Each level of our architecture can be adapted to provide real solutions. Our bodies can be manifolded together, our actuators can operate other types of valve and our control and communication structures can decentralize your intelligence and help you visualize what is happening in your plant or your machinery.

Yoke mounted solutions

We have a long history of providing some of the leading control valve manufacturers with positioners they can rely on to make their process valves work more efficiently and communicate with the latest standards. All of the advantages of the ELEMENT software is available inside the latest side mount units.

Sanitary solutions

Control heads, positioners and process controllers and actuators for sanitary valves for the brewing, beverage and dairy industries fit the environment perfectly. We can interface with your current solution or build a whole new system.

Customized solutions

We can interface with many other sensor and valve technologies to produce plug and work systems for any control loop or array. We will listen with the intent of providing the correct solution in your daily application language.

Quarter turn solutions

There are still many applications which require the use of a ball control valve. Here accuracy, repeatability and simple set up are important. Our new 8792 and 8793 are both designed to work right on top of your choice of ISO5211 actuator.



Type 8792/8937 fully functional positioner for adaption to yoke or quarter turn valves.



Type 8791 - remote, cabinet mounted positioner



Type 8791 - Positioner BASIC



Type 2080 2/2-way valve with PTFE bellows for mediaseparation

This valve is suitable for food & beverage technology thanks to its self-draining design. The modular construction allows different armatures and point connections.



Yoke mount

Our 8793 fully equipped process controller can be mounted on any yoke. It accepts a large spectrum of signals from process sensors and can compare these to a given setpoint. This is true decentralized intelligence allowing you to control and visualize the process.



Precision sanitary actuators and positioners

We have controlled a wide range of hygienic plug valves, weirless diaphragm valves and sanitary ball and butterfly valves.



Systems with flexible software

We have developed market oriented solutions by having flexible control architectures which can meet industrial requirements quickly.



Rack and pinion mount

Through the standard ISO connection it is simple to integrate all of our intelligence on any of your quarter turn drives.

Approvals Behind our Success

Over the course of the years, individual directives and national standards have resulted in clear standards that have been implemented in national or international law by the legislature. These recognized regulations ensure that equipment items from different countries are compatible and that manufacturers adhere to a set of regulations regarding design and production.

These regulations relate to the following aspects:

- Protection against risks and dangers
- Interfaces between technical systems
- Testing and inspections of products
- Clear description of the content and the characteristics of products

Legal supervisory authorities require that system operators use only equipment which meets the necessary safety requirements pursuant to these regulations.

Bürkert has the largest number of valves which have been granted the corresponding global approvals.

European approvals

The European approvals and CE mark must be considered in conjunction with one another. As products with CE marking comply with the specified safety regulations, these marked products must be accepted in all EU and EFTA states. A distinction is made between the regulated and unregulated area. The CE mark on Bürkert devices refers to

- Electromagnetic compatibility in the areas
- Low Voltage Directive with the following limits:
 - 75 – 1500 V for DC voltages
 - 50 – 1000 V for AC voltages
- Pressure Equipment Directive

In regulated areas, the requirement stipulates that an independent body must conduct an CE type examination:

- Pressure Equipment Directive
- Gas Appliances Directive
- ATEX Directive

In unregulated areas, it is the manufacturer's direct responsibility to attach the CE mark. In this case, a Declaration of Conformity may be required of the manufacturer, specifying the standards applied. Depending on the particular application, the following directives may apply to Bürkert:

- Low Voltage Directives
- Electromagnetic Compatibility Directive
- Vehicle Directives
- Medical Device Directives

North American approvals

The American Occupational Safety and Health Administration (OSHA) drew up the OSHA Regulation. In Standard 29 CFR, the requirement for electrical installations or equipment stipulates that only installations or equipment which have been tested for the specified safety requirements by an NRTL (National Registered Test Laboratory) may be installed. The NRTLs specified include the following:

- Underwriters' Laboratories (UL) for UL-listed, UL-recognized, UL-classified
- Factory Mutual (FM)
- Canadian Standards Association (CSA)

The complete CSA approval, from the measurements to be carried out up to preparation of the documents can be conducted internally as we have achieved "Category Certification" status.

Hazardous locations

Valves for ATEX Directives (formerly Explosion-Protection (EX) Directives) covers equipment, components and protection systems for use in hazardous areas. It also applies to safety facilities outside of hazardous areas if they are required for safe operation of equipment in the hazardous area with respect to the risk of explosion.

Details for all global directives can be found in our brochure Hazardous Locations.

Hygienic approvals and norms

Many of our process valves are employed in hygienic processing areas which follow industry and governmental guidelines and regulations which include EC-Regulation 1935/2004, 3A certification, EHEDG guidelines and FDA compliance for both internal wetted materials or outside cleanable design. We have many years of experience which assure our clients that our equipment will fit their every requirement and back it up with the relevant traceable documentation.



Added Value Systems

Bürkert has a unique perspective in the process control and instrumentation industry as we are the only single brand which combines a complete range of valves, instruments, pneumatic actuation, networking and controllers from a single source.

With our dedicated world-class engineers and our superlative manufacturing facilities we can deliver systems which meet your exact requirements.

Your reliable Bürkert sales consultant and our system engineers work in concert to ask the right questions and provide the right hardware. Transparent operations, up to date situation, review procedure, engineering change notices, portals through SAP and secure intranet are normal in our projects.

For a world class system experience, insist on Bürkert people to be part of your next project.



01 Connect

As a globally flexible, lean, focused and innovative company we are the partner of choice for fluid control systems in more than 35 countries. Whether you are in Stuttgart, Singapore, Chicago or Sydney, everywhere in the world, we are close to you and therefore know at first-hand about your specific tasks and problems.

Following our principle of "one face to the customer", you have a competent, reliable consultant by your side at all times, who listens to your needs and presents a solution in your daily application language ... crossing conventional boundaries and creating synergies between industries in pursuit of your ideal solution.

Systemhaus crews in Charlotte (USA), Suzhou (China), Dresden, Ingelfingen and Dortmund are continuously in innovation mode. They creatively engineer cost effective solutions to meet difficult process challenges for our customers.



02 Conceive & Innovate

Your project team starts working for you: from your reliable sales consultant, qualified industry specialists to dedicated system engineers – Bürkert puts the necessary experts together.

For the entire duration of the project they work together, combining their experience and clarifying all the requirements in close cooperation with you to come up with a feasible draft of your solution within the shortest timeframe.

CAD-created animations or simulations, combined with extended manufacturing, materials, tool design, construction and assembly knowledge enable us to provide a rough but firm production concept for your system at an early stage.



03 Plan & Specify

In Phase 3 the project is planned in detail. A specification sheet and refined solution concept are developed. This defines exactly what you expect from the system and what it must provide to ensure that all components meet your requirements.

At the end of this phase you are presented with a detailed product definition, a production specification and precise commercial conditions and agreements.

Structured project management based on open communication, effective coordination and thorough documentation ensures fast and reliable results.



04 Do & Check

Good communication, coordination and documentation at all project phases make sure that we are on the right track, developing the right solution, to allow us to quickly move on to prototyping.

Thanks to the latest technology, we are able to build a prototype made of metal or plastic or a functional model to test flow for example within 24 hours.

We provide you with samples; we perform tests and, of course, obtain all the necessary local and global approvals to make sure the system can go to production.

From here we work in concert with one of our production facilities in Ingelfingen, Gerabronn, Criesbach, Öhringen or Triembach according to their individual core manufacturing competencies.



05 Complete

Our work does not end with the perfect delivery of components and systems. We offer a comprehensive program to our global clients interlinking services ranging from maintenance and service contracts, operator training and integrated logistics.

Our customer service is available around the clock, offering support through internet, telephone or our qualified, experienced people at your site.

We aim to provide only the utmost in customer experience. Something you will tell your friends about.

Bürkert – Close to You

For up-to-date addresses
please visit us at
www.burkert.com.

Austria
Belgium
Czech Republic
Denmark
Finland
France
Germany
Italy
Netherlands
Norway
Poland
Portugal
Spain
Sweden
Switzerland
Turkey
United Kingdom





bürkert
FLUID CONTROL SYSTEMS

Bürkert Fluid Control Systems

Christian-Bürkert-Straße 13-17
74653 Ingelfingen
Germany

Tel. +49 (0) 7940/10-0
Fax +49 (0) 7940/10-91 204

info@burkert.com
www.burkert.com